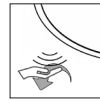




ORBIT PENDANT

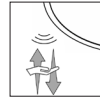
Design: Nital Patel & Ronni Gol



ON / OFF
swipe your hand under the sensor

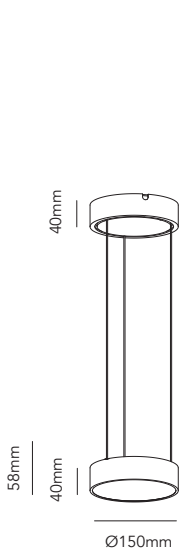
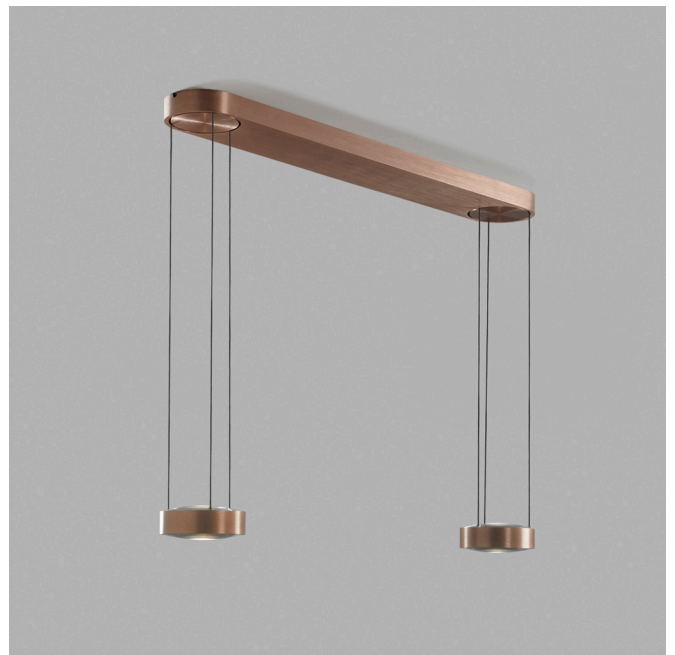


DIMM
hold your hand still under the sensor to adjust the light level

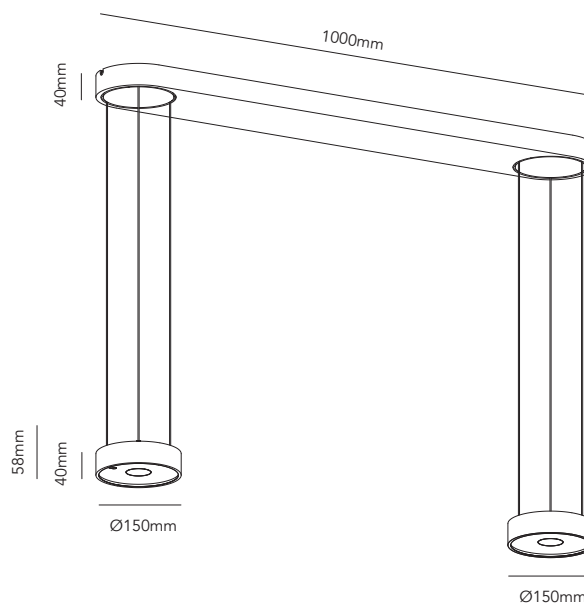


2700K = 5000K

TUNABLE WHITE / TO WARM
move your hand up to / away from the sensor and hold your hand still to set the color temperature



ORBIT PENDANT Ø150



ORBIT PENDANT 2 Ø150

ORBIT PENDANT - 2700-5000K

Design: Nital Patel & Ronni Gol

LIGHT·POINT
C O P E N H A G E N

ART. NAME	ORBIT PENDANT 1 Ø150	ORBIT PENDANT 2 Ø150	
Art. no. rose gold	270732	270736	-
Art. no. titanium	270731	270735	-
EAN rose gold	5711389707323	5711389707361	-
EAN titanium	5711389707316	5711389707354	-
Material	Aluminium / Glass	Aluminium / Glass	-
Light source	Bridgelux	Bridgelux	-
Lifetime	50.000h	50.000h	-
Number of light sources	2	4	-
Electronical gear	N/A	N/A	-
Driver watt	20W	30W	-
Light source watt	2x7,5	4x7,5	-
System watt	15	30	-
Voltage	220-240V	220-240V	-
Dimmable	Yes	Yes	-
Lumen output	900	1800	-
Lumen pr. watt	60	60	-
Flux	N/A	N/A	-
CCT (K)	2700-5000	2700-5000	-
RA/CRI	>90	>90	-
Mac Adam	3	3	-
Light distribution	Up/Down	Up/Down	-
Beam angle	N/A	N/A	-
Tilt angle	N/A	N/A	-
Cutout mm.	N/A	N/A	-
Rotation	N/A	N/A	-
Looping	N/A	N/A	-